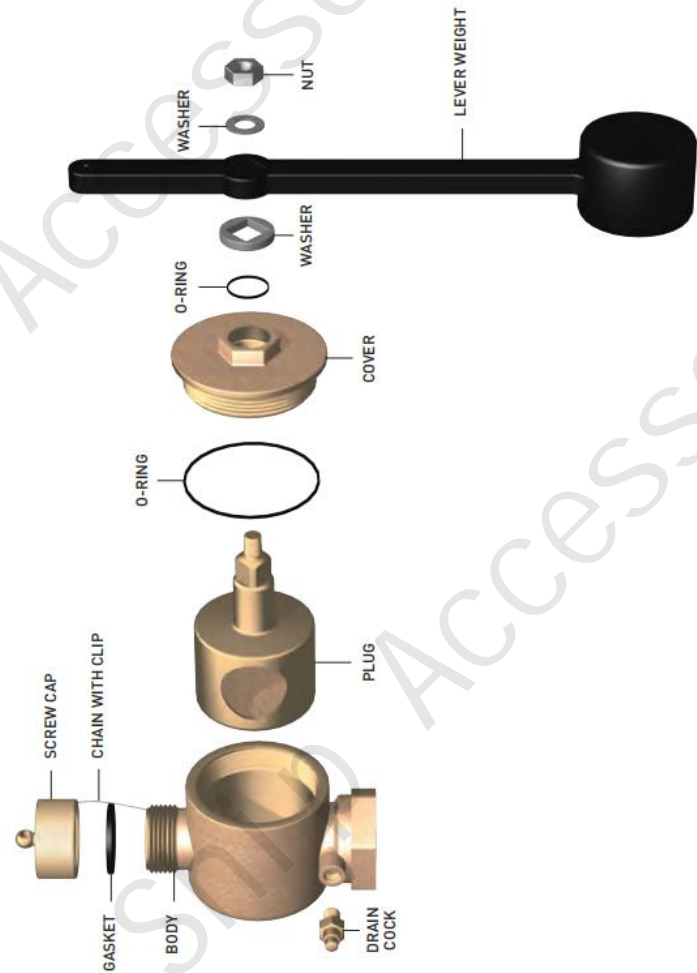
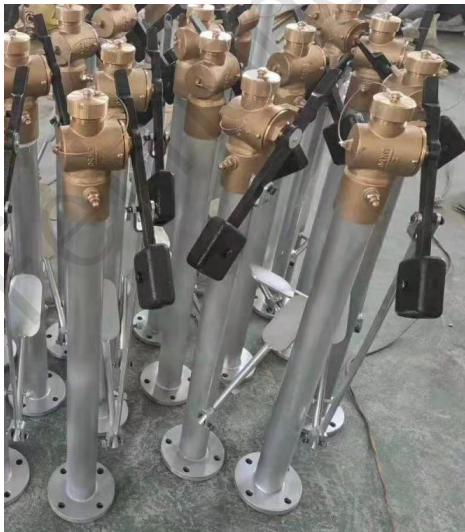


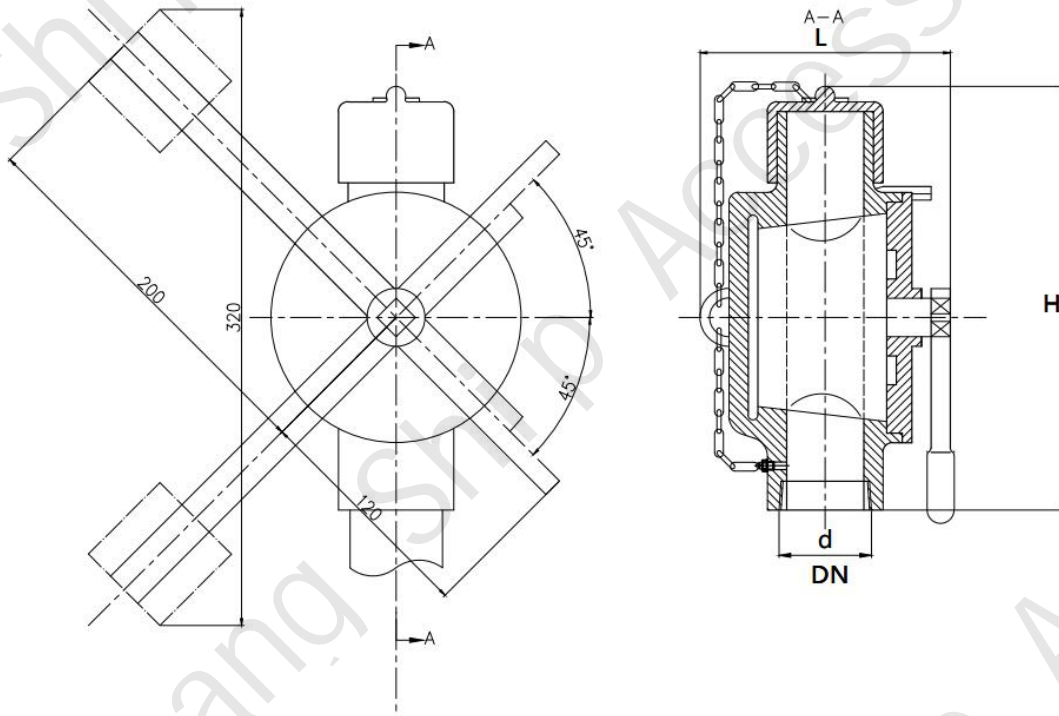
SOUNDING SELF-CLOSING VALVE



COMPONENT

SOUNDING SELF-CLOSING VALVE

DESIGN STANDARDS: CB/T3778-1999

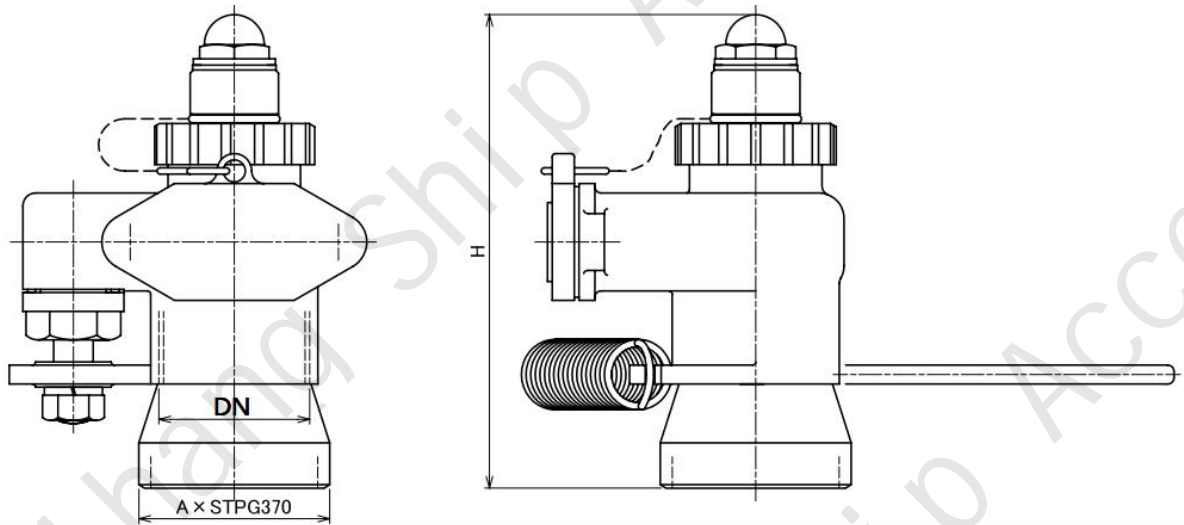
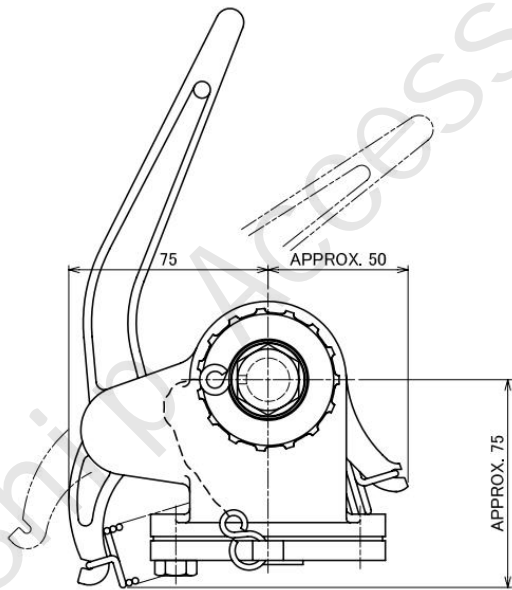


Parameter selection table

UNIT(mm)

NOMIAL.DIA.-DN	d-in	H	H1	L
40	G1 1/2"	220	100	130
50	G2	225	105	140
65	G2 1/2"			155

DESIGN STANDARDS: CB/T3778-1999



NO.	NOMIAL.DIA.-DN	A	H
FH-40	40-1 1/2"		140
FH-50	50-2"	50A-SCH80	170
FH-65	60-2 1/2"	50A-SCH40	180
FH-80	80-3"	50A-SCH40	180